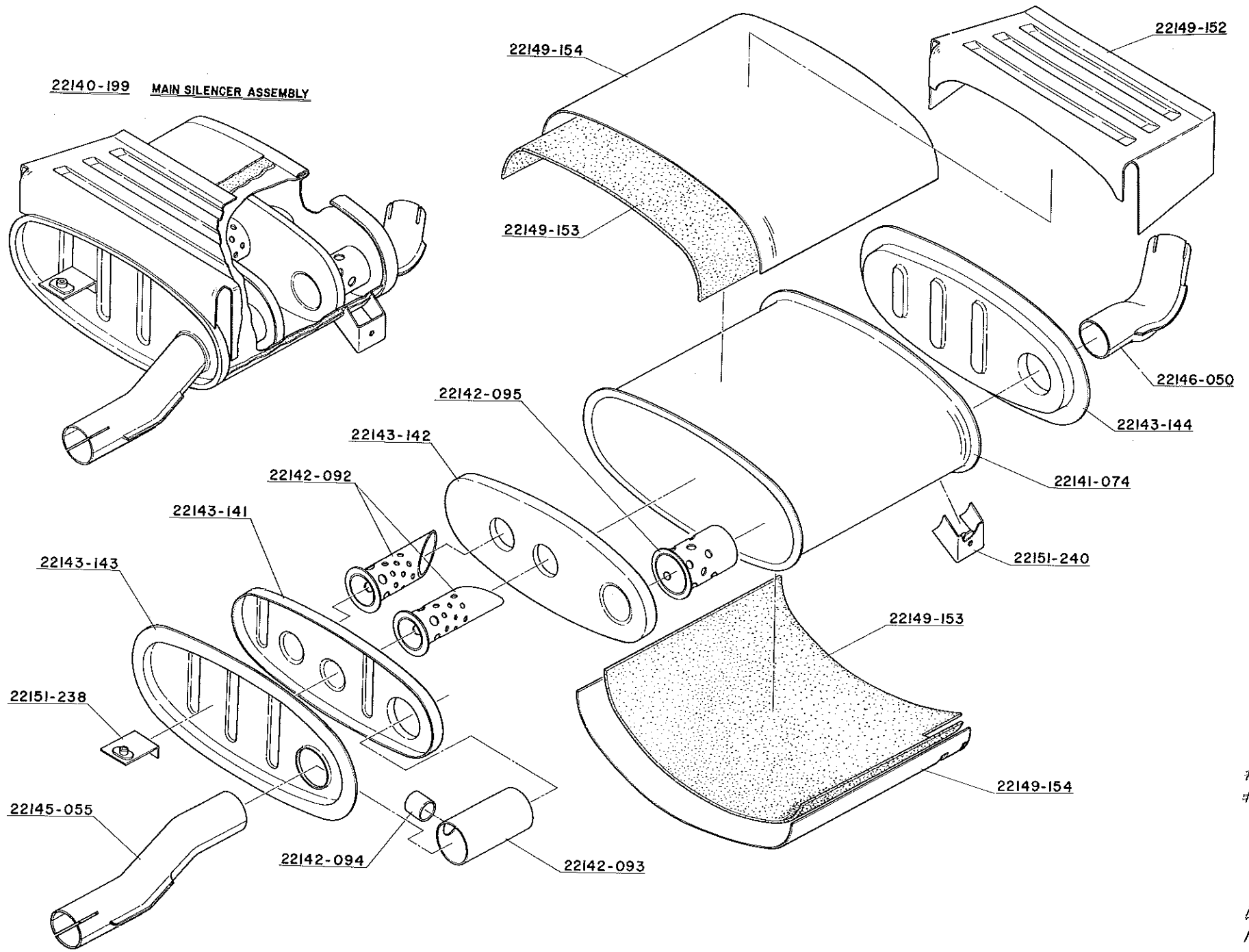


22140-199 MAIN SILENCER ASSEMBLY



240
3

DY-N-28
IN-K-8

41-12-7

A1