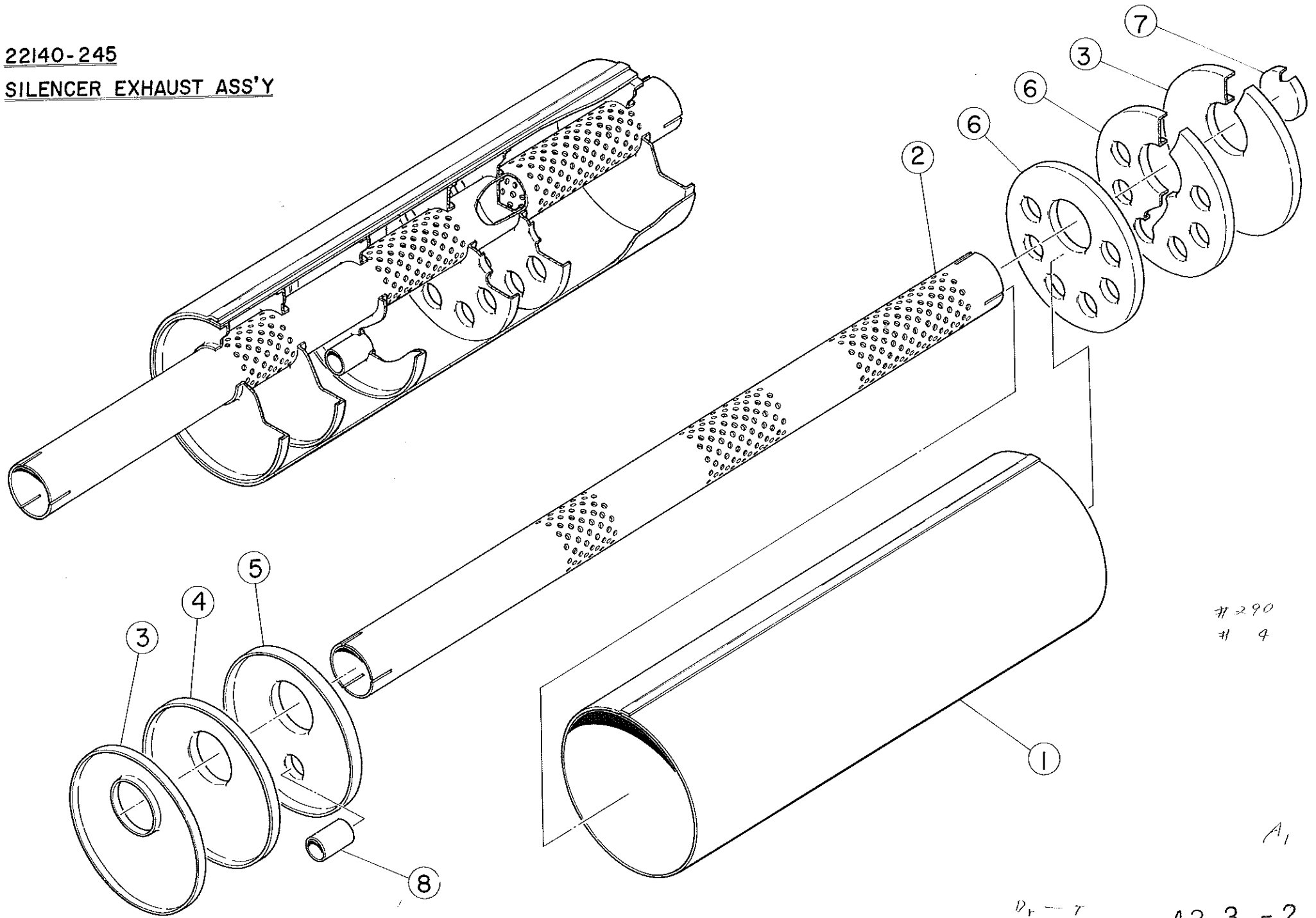


22140-245

SILENCER EXHAUST ASS'Y



290
4

A₁

D_r - 7
1A - W

43.3. - 2