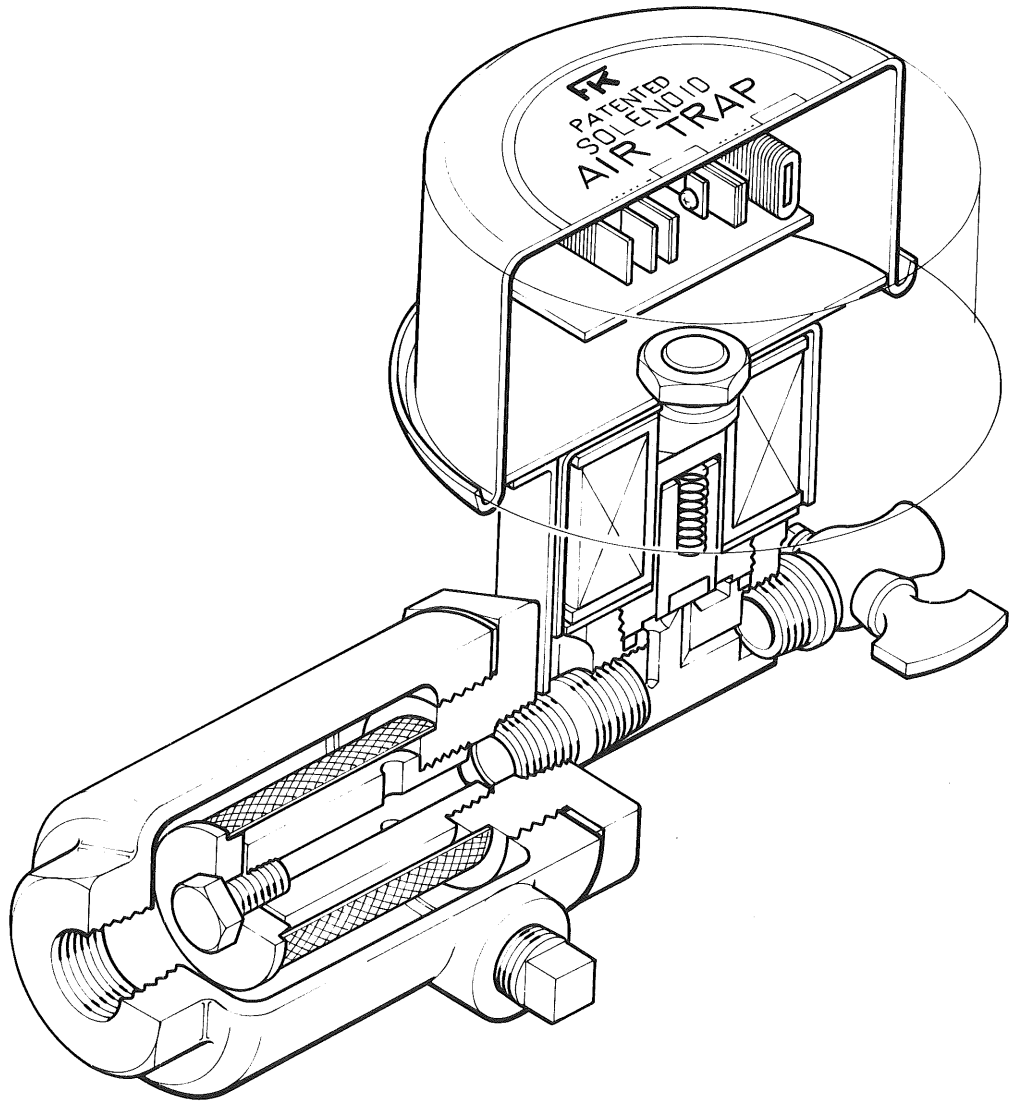


# SOLENOID AIR TRAP



110-280

4P-7-17

**FK** FUKUHARA CO.,LTD.