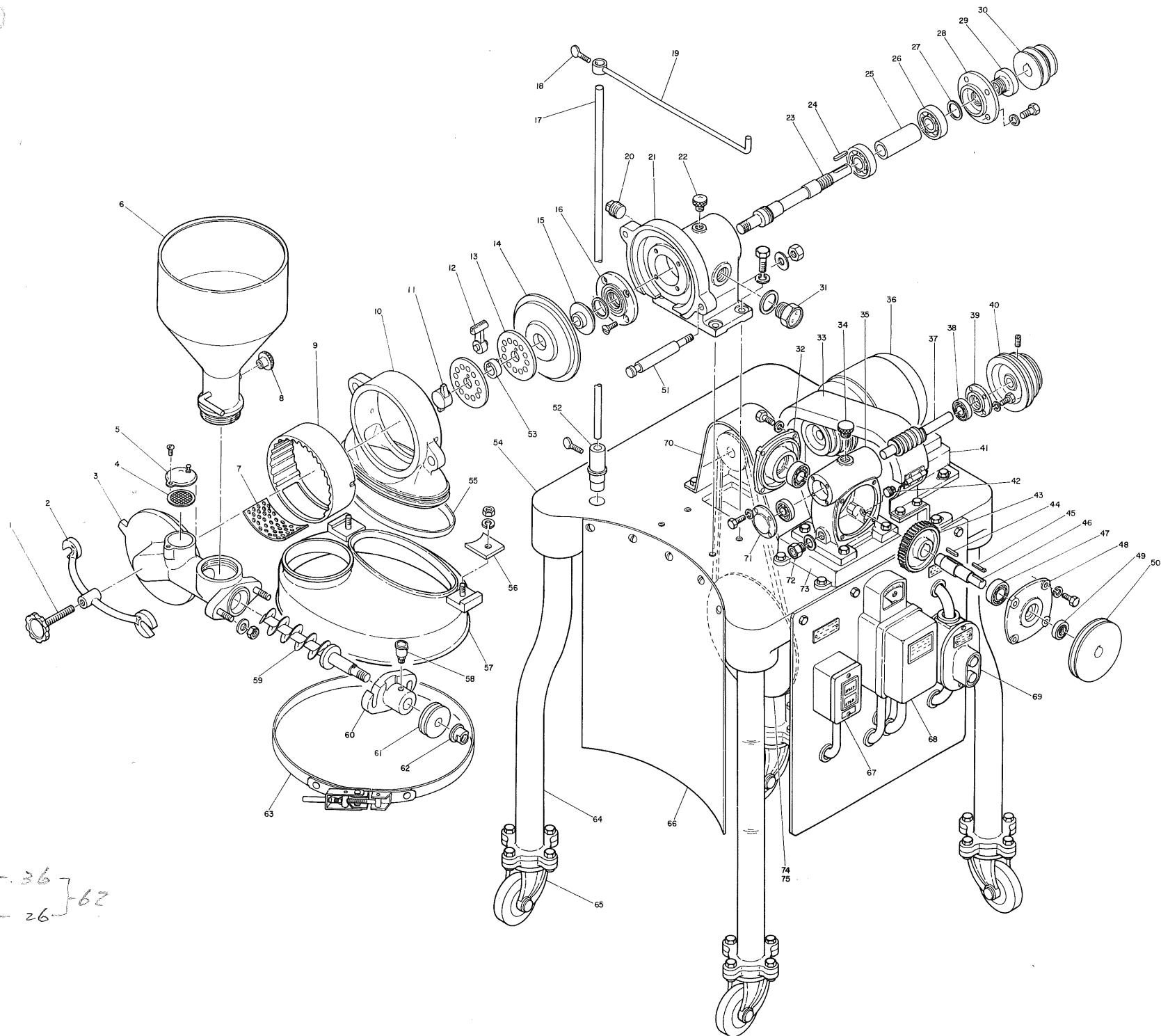


40.5.20



Dr - K - 36 }  
IN - K - 26 } 62