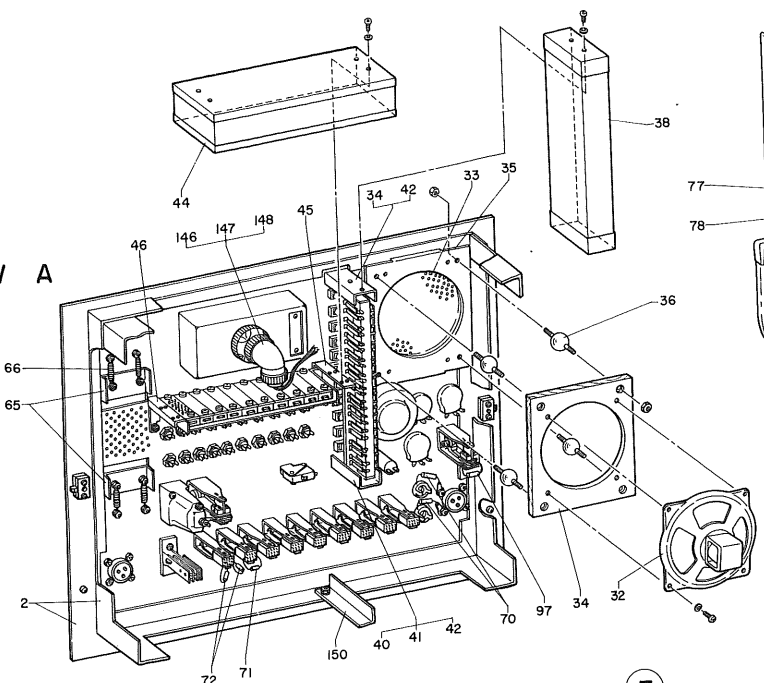
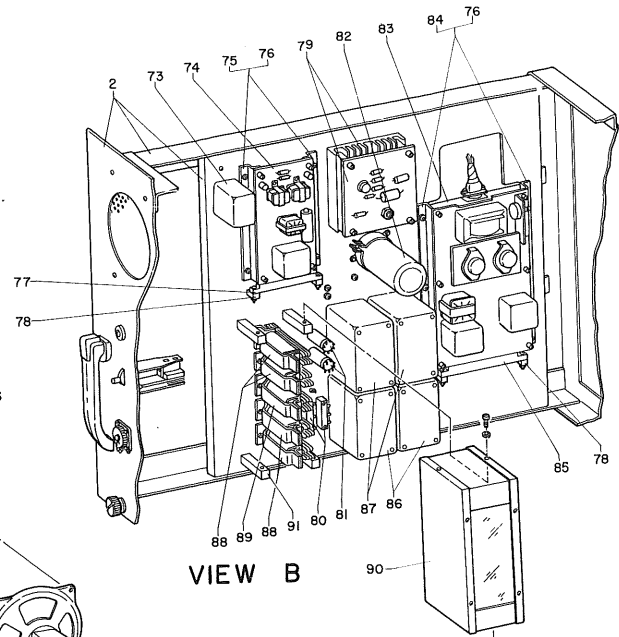


91-11-19

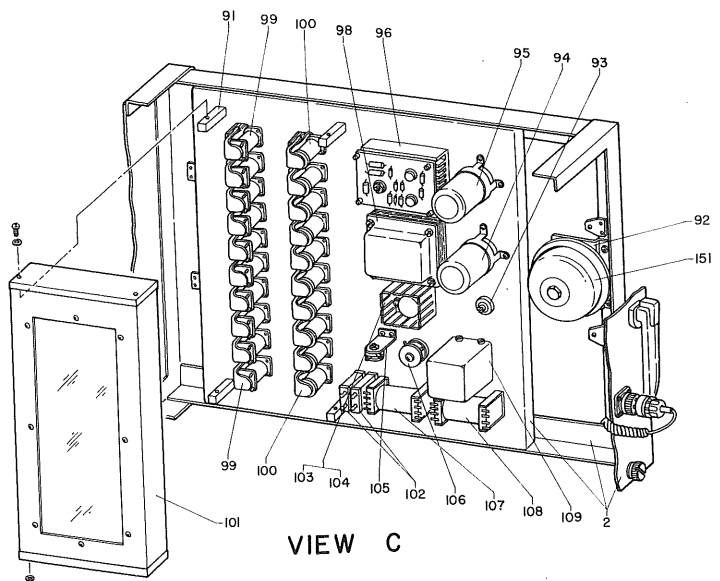
VIEW A



VIEW B

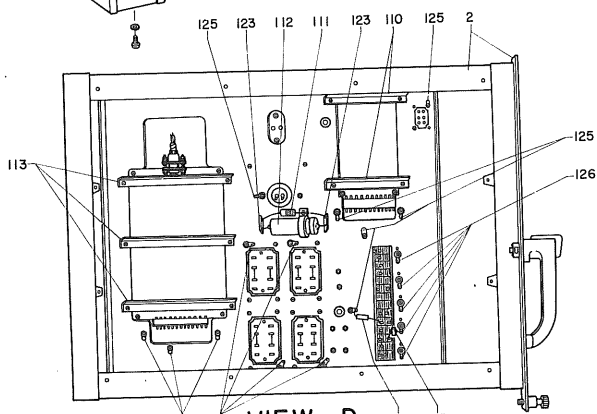


VIEW C

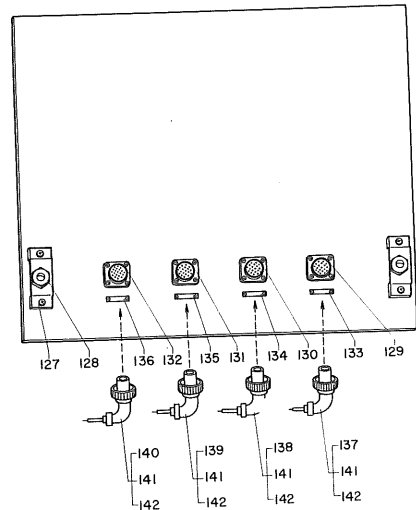


# 140  
# 1

VIEW D

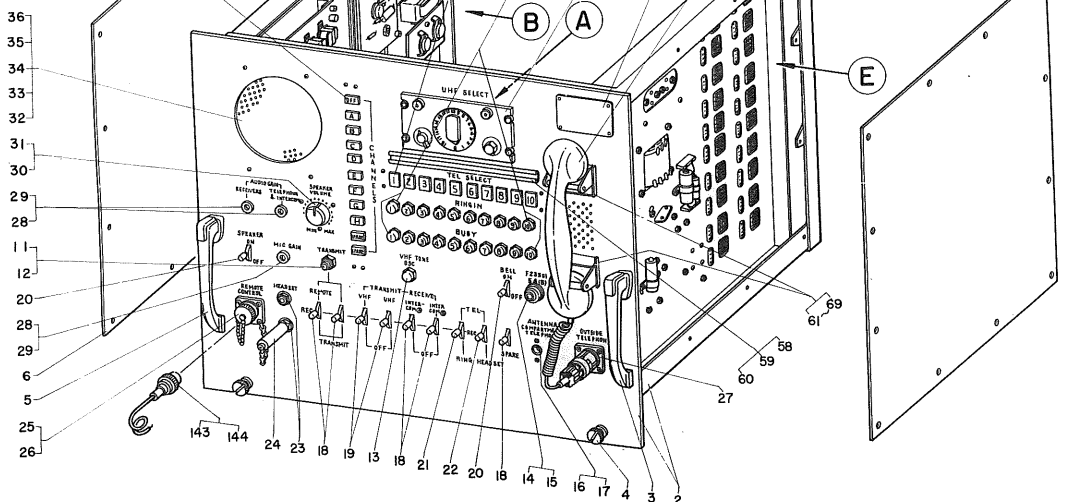


VIEW F



DR-A-45  
I.N-K-37 } 90  
L.T-S-8

B;



VIEW E

