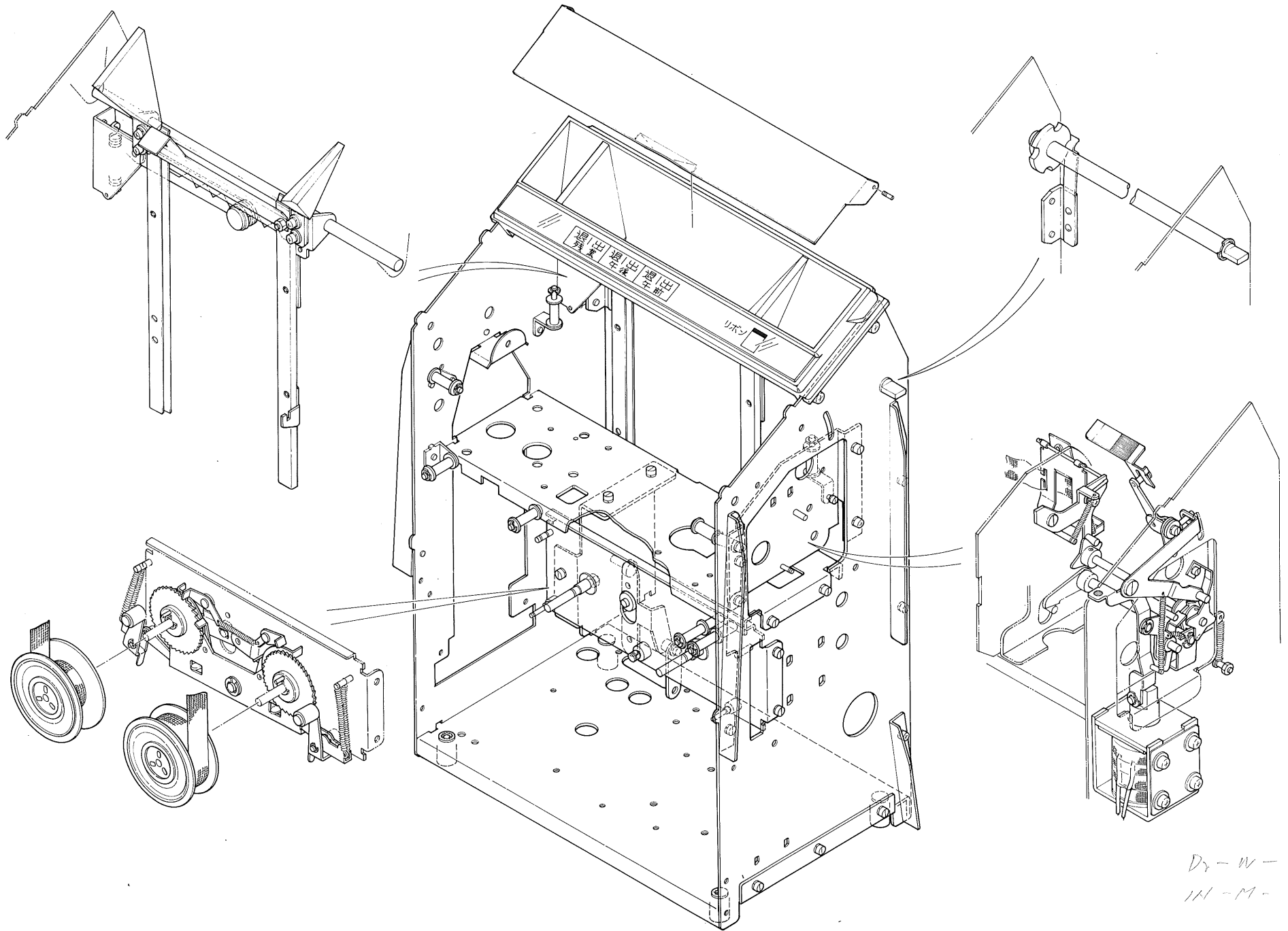


NTR-5



D₂-W-
111-M-15