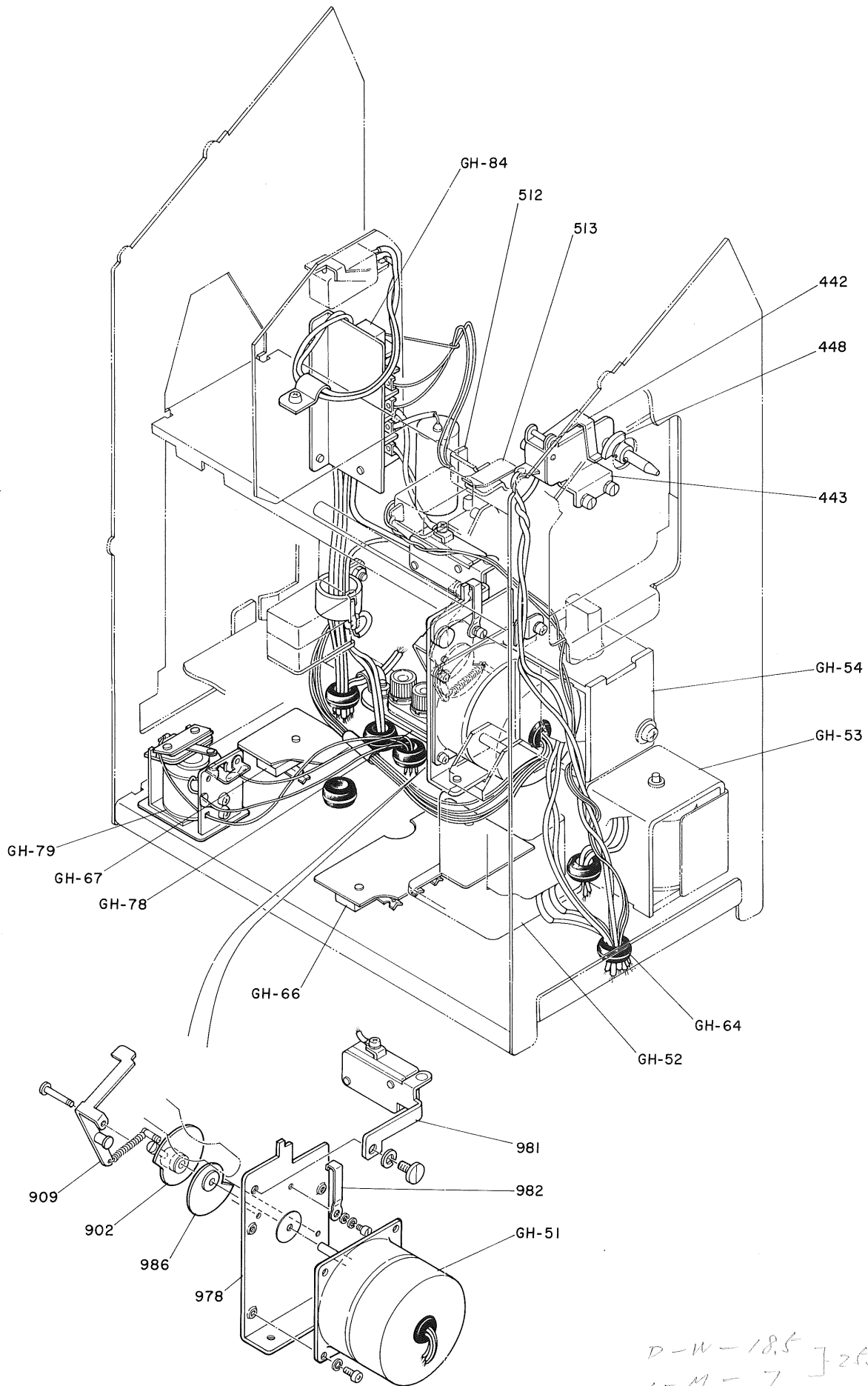


B2
CE #0175
#1



D-W-18.5
1-M-7 } 26.5