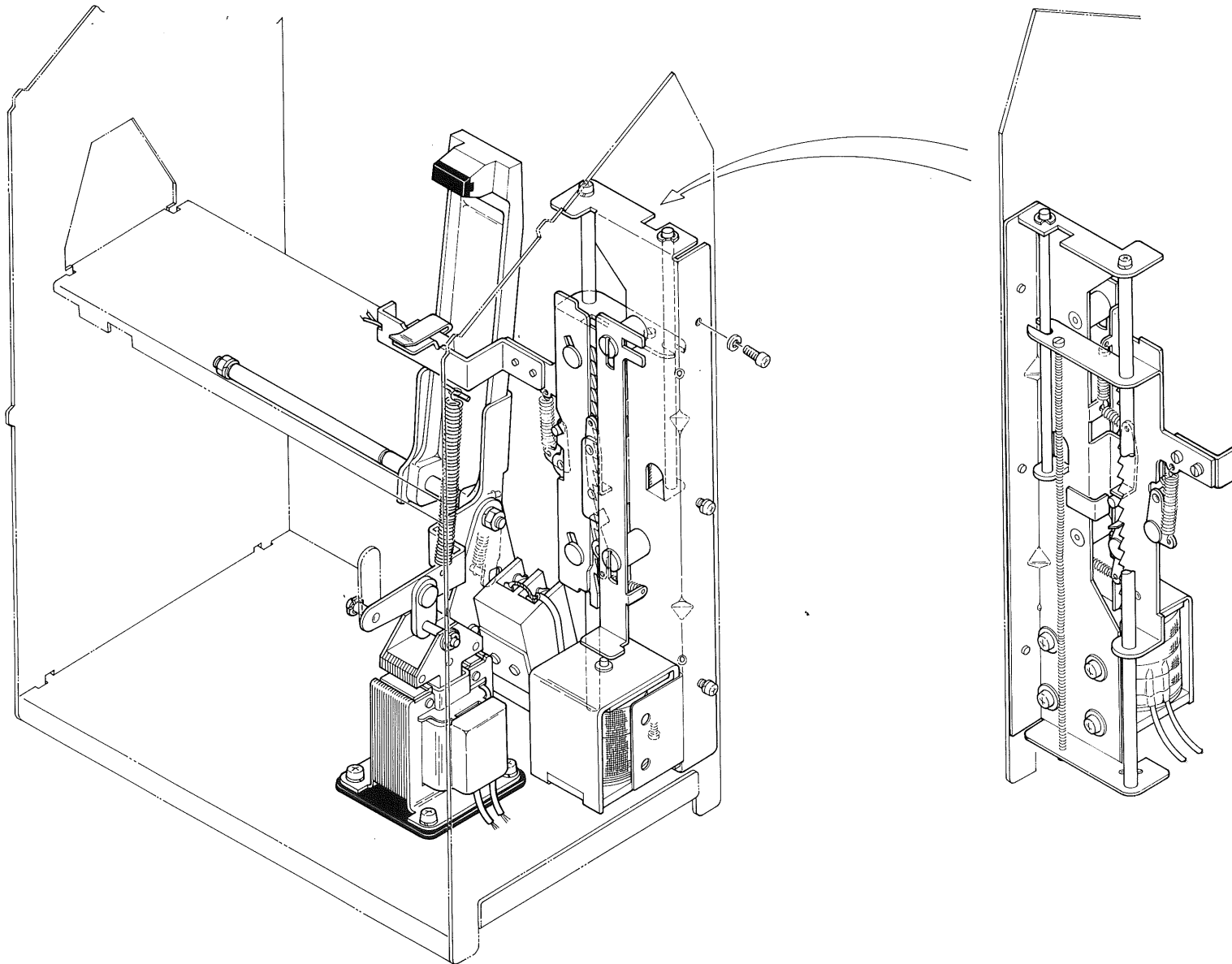


NTR-5



D<sub>1</sub>-W-  
1N-14-7