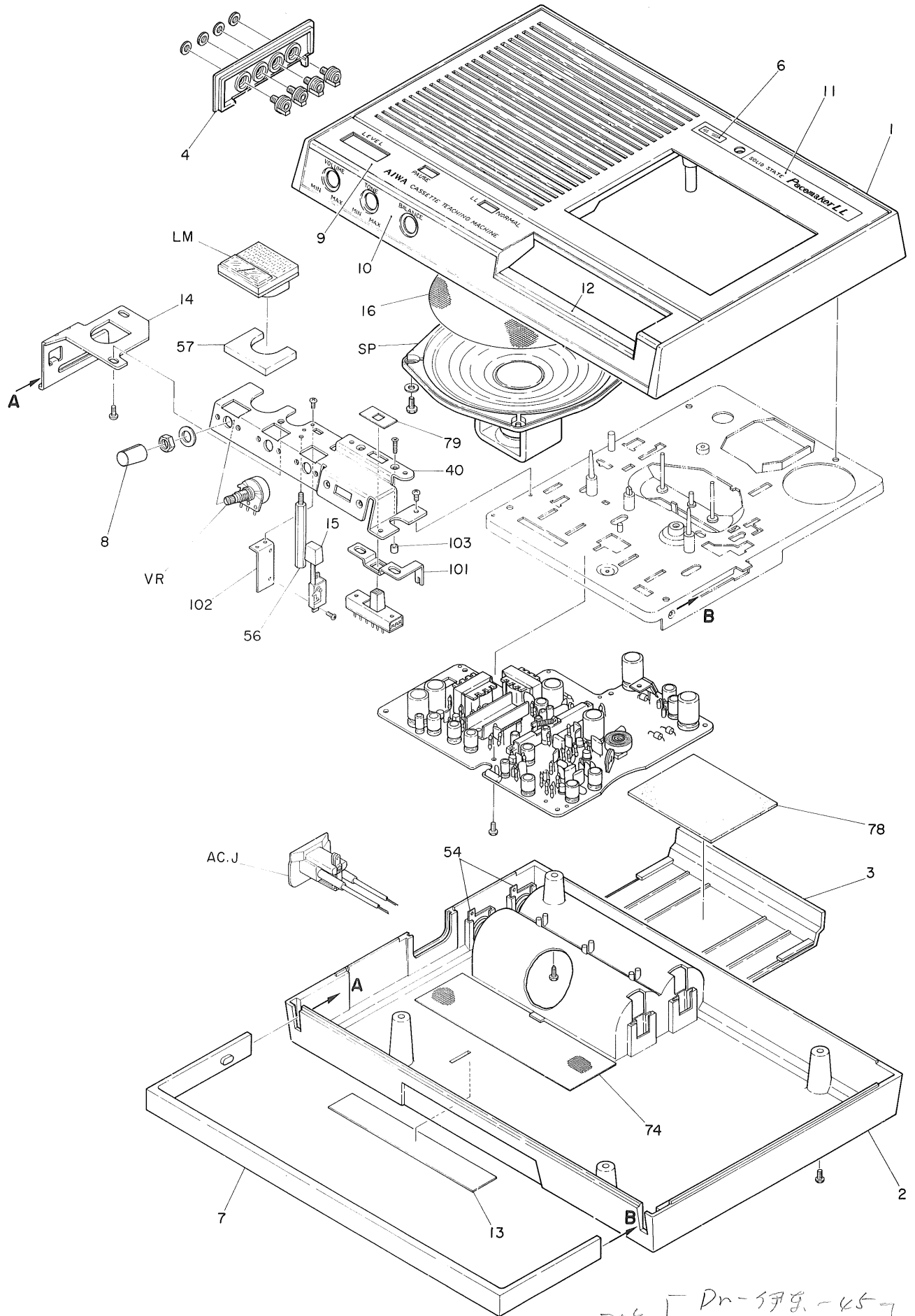


TM-402 (1)

NO-669

45-4-17



285- [Dn-579-45] 70
1AK-11-25